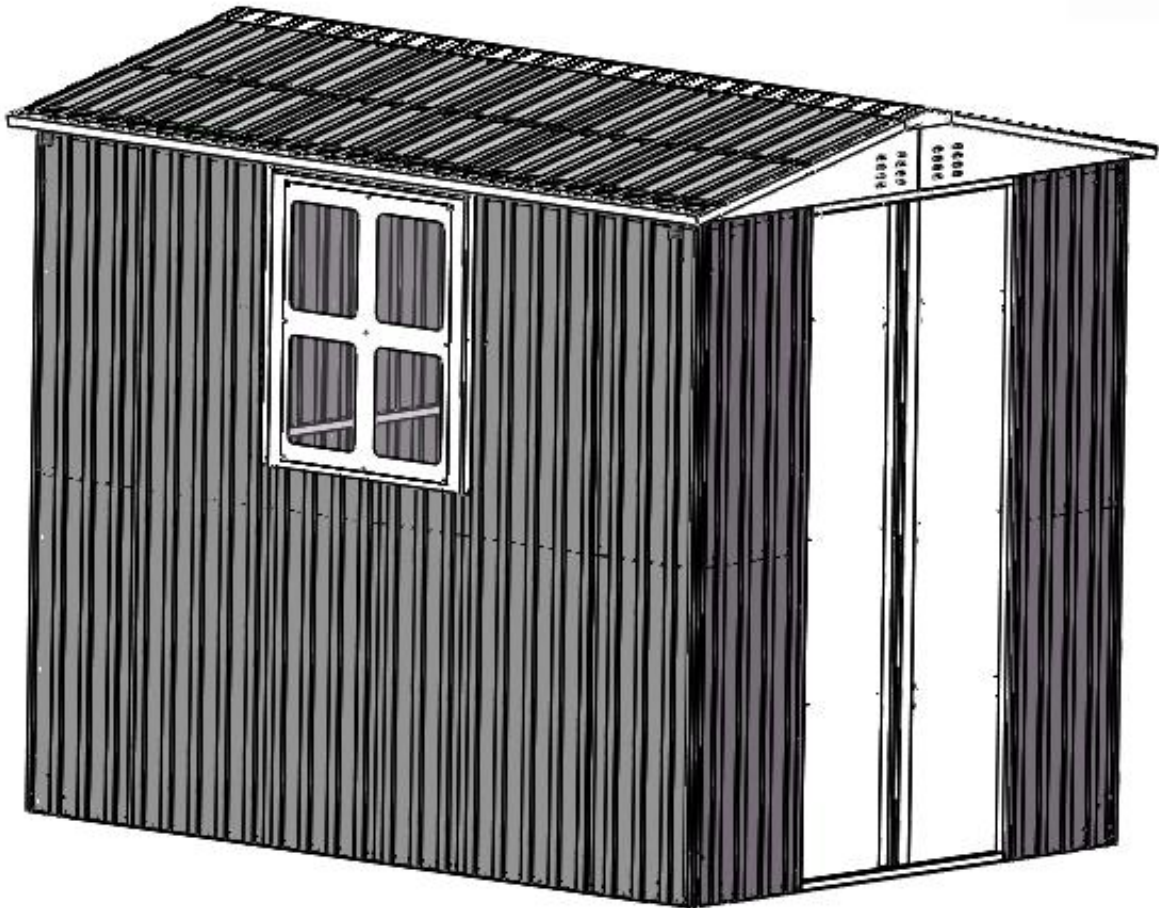


The Mammoth: 6ft x 8ft Owner's Manual Instructions for assembly

Guaranteed
Irish



Requires two people who are experienced with flat-packed assembly to complete.

Estimated completion time: 5-7 hours*

***Duration will vary depending on level of experience, etc.**

Before you start

Prior to installation, it is important that you contact your local authority to determine if building approval is required.

Read this instruction manually fully before you begin construction. Important information and helpful tips within, will make the whole procedure considerably easier for you.

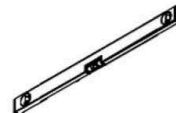
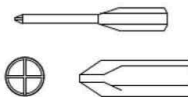
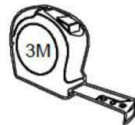
Assembly Instructions

These instructions contain all appropriate information for you to build this shed. Review them carefully before you begin. During assembly, follow the step-by-step sequence carefully. Please be aware: **THIS SHED TAKES TWO PEOPLE ABOUT A FULL DAY TO COMPLETE.**

Parts

Make sure that you check off all the parts that you need for your assembly. Separate all the parts from the box and check them off, one-by-one. Contact us asap should anything be missing.

Tools you may need



Most importantly: Plan Ahead

Watch the weather

Make sure you assemble on a calm, dry day. Panels can become dangerous in wet and windy conditions.

DO NOT ATTEMPT TO ASSEMBLY YOUR SHED IN WINDY WEATHER.

It can lead to damage to panels or even personal injury.

Plan Ahead

Site Selection

- * Steel Sheds require a solid, level base. Concrete, hardcore stone, paving slabs etc.
- * Avoid overhanging trees as much as possible, as falling leaves mean you'll need to clean it more - and swaying branches pose a threat to the roof also.

Site Preparation

- * The site must be prepared so that the base of the shed is level all round. Checking with a spirit level is strongly recommended.
- * **The shed is not designed to be built onto grass/the lawn directly.**

If a concrete base is made, it is important that it slopes towards the edges, so as to prevent water ingress. Time must be allowed for any concrete or cement to dry before the shed is placed on top.

Bases can be made from bricks, blocks or mounted concrete pads however the bricks, blocks etc must be cemented into a firm and level concrete footing and the frame should be drilled and screwed into the base.

Sharp Edges

Care must be taken when handling various pieces of your building, since it may contain sharp edges. Please wear work gloves, eye protection and long sleeves when assembling - or performing any maintenance - on your shed.

Important Notes

- * At least two people are required for this assembly.
- * Allow enough time to assemble the shed. Rushing is not only dangerous, but it can lead to errors which require re-doing laborious work.
- * If you have never built a shed before, do not be surprised if it takes you 2 or more days to complete this assembly.
- * Have the right tools to hand.
- * Have the appropriate safety clothing
- * Make sure that you have checked off all the parts before beginning construction
- * Double check all nuts/bolts are tightened appropriately at the end of construction.











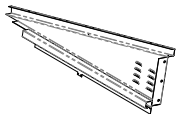
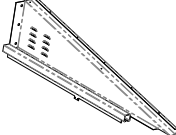

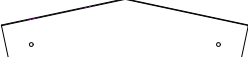
*****Please read through the installation instruction carefully and check if there are any missing parts, and follow the instruction.**

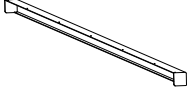


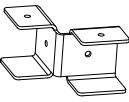
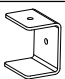



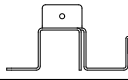

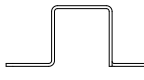
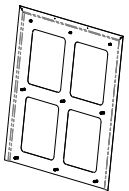
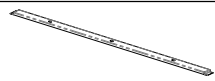
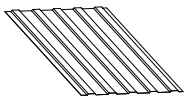
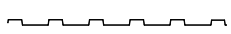
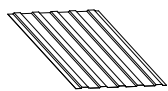
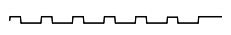
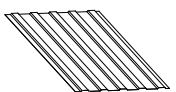

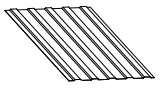
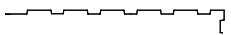
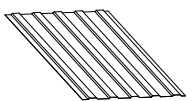
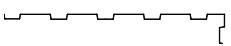
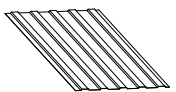
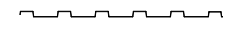


*****Please wear the gloves provided before operation!**

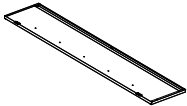
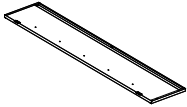



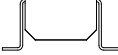
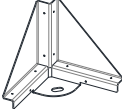

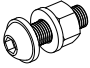


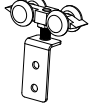
*****This product must be assembled on a flat ground!**





Parts List

| # | Part Name | Overview | Dimension/Cross Section View | Qt | Note |
|----|-----------|---|--|----|------|
| 1 | T1 |  | | 2 | |
| 2 | T2 |  | | 2 | |
| 3 | T3 |  | | 4 | |
| 4 | T4 |  | | 2 | |
| 5 | T5 |  | | 2 | |
| 6 | T6 |  | | 2 | |
| 7 | T7 |  | | 1 | |
| 8 | T8 |  | | 4 | |
| 9 | P2 |  | | 1 | |
| 10 | P3 |  | | 1 | |
| 11 | P12 |  | | 1 | |
| 12 | P13 |  | | 1 | |
| 13 | P4 |  |  | 1 | |

| | | | | | |
|----|-----|---|--|----|--|
| 14 | P5 |  | | 2 | |
| 15 | P6 |  |  | 2 | |
| 16 | P7 |  | | 4 | |
| 17 | P8 |  | | 4 | |
| 18 | P9 |  |  | 1 | |
| 19 | P10 |  |  | 1 | |
| 20 | P11 |  |  | 2 | |
| 21 | P14 |  | | 1 | |
| 22 | P15 |  | | 2 | |
| 23 | W1 |  |  | 10 | |
| 24 | W6 |  |  | 2 | |
| 25 | W2 |  |  | 12 | |
| 26 | W3 |  |  | 2 | |
| 27 | W4 |  |  | 2 | |
| 28 | W5 |  |  | 2 | |
| 29 | W7 |  |  | 1 | |

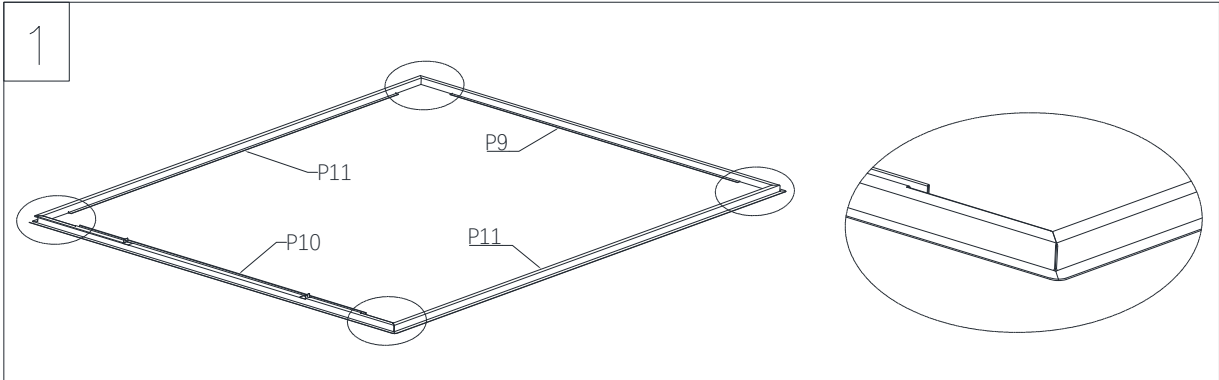
| | | | | | |
|----|----|---|---|-----|--|
| 30 | DL |  | | 1 | |
| 31 | DR |  | | 1 | |
| 32 | A |  |  | 4 | |
| 33 | B |  |  | 15 | |
| 34 | C |  | | 8 | |
| 35 | F |  | | 1 | |
| 36 | G | sealant | Fill gaps | 2 | |
| 37 | H1 |  | | 14 | |
| 38 | H2 |  | | 350 | |
| 39 | H3 |  | | 220 | |
| 40 | H5 |  | | 4 | |

Included:

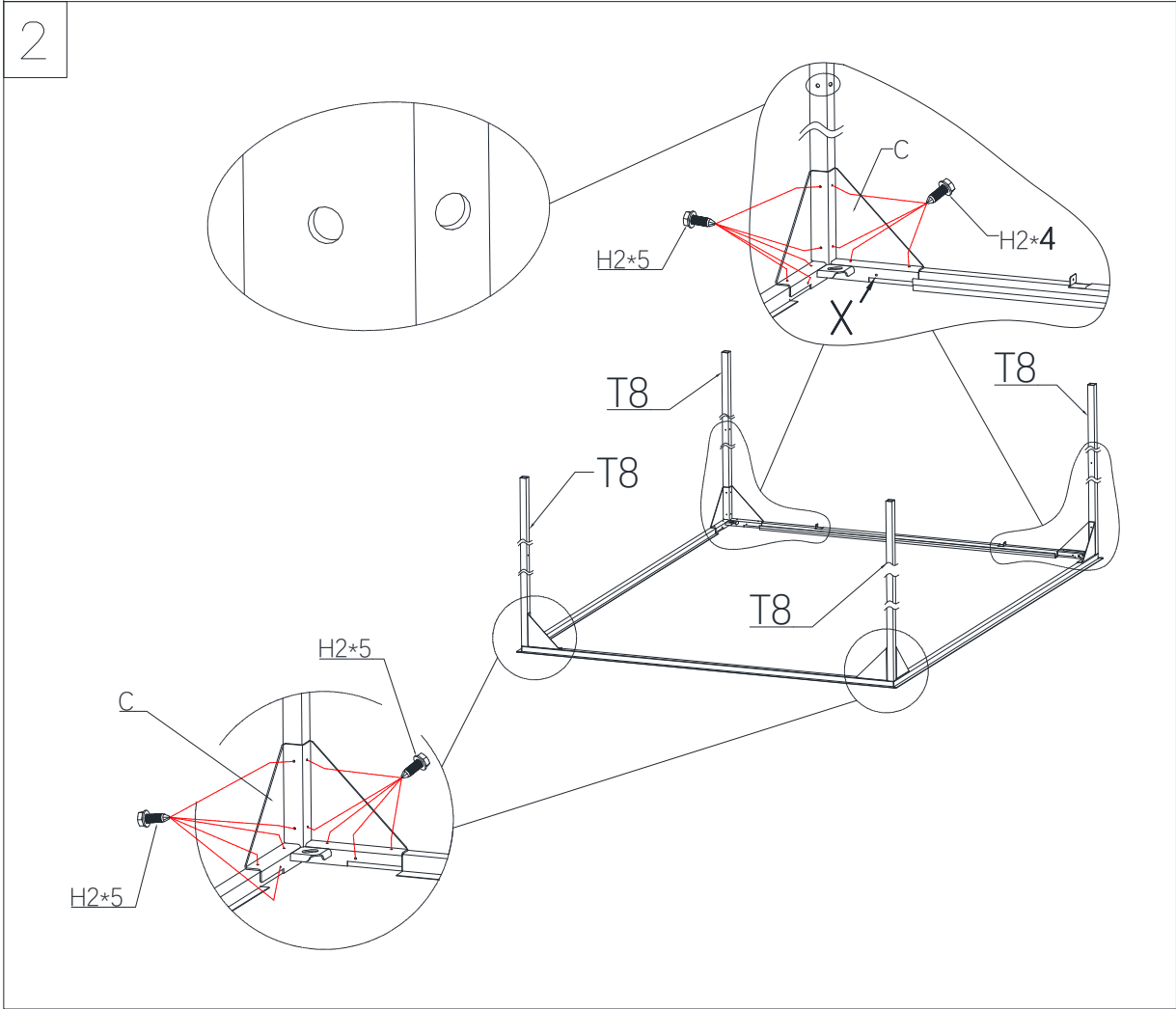
| | | | |
|---|---|------|--|
| 1 |  | 2PCS | |
| 2 |  | 2PCS | |

Installation Procedures

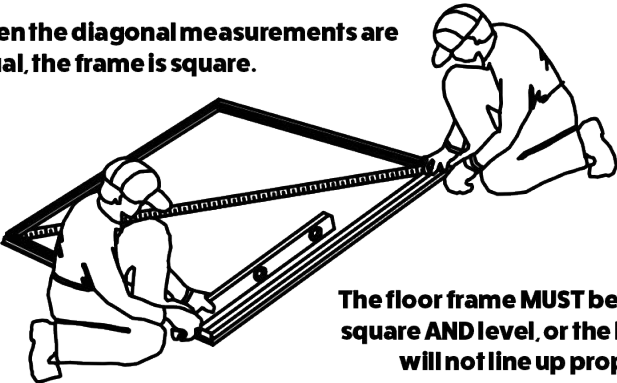
1.



2.

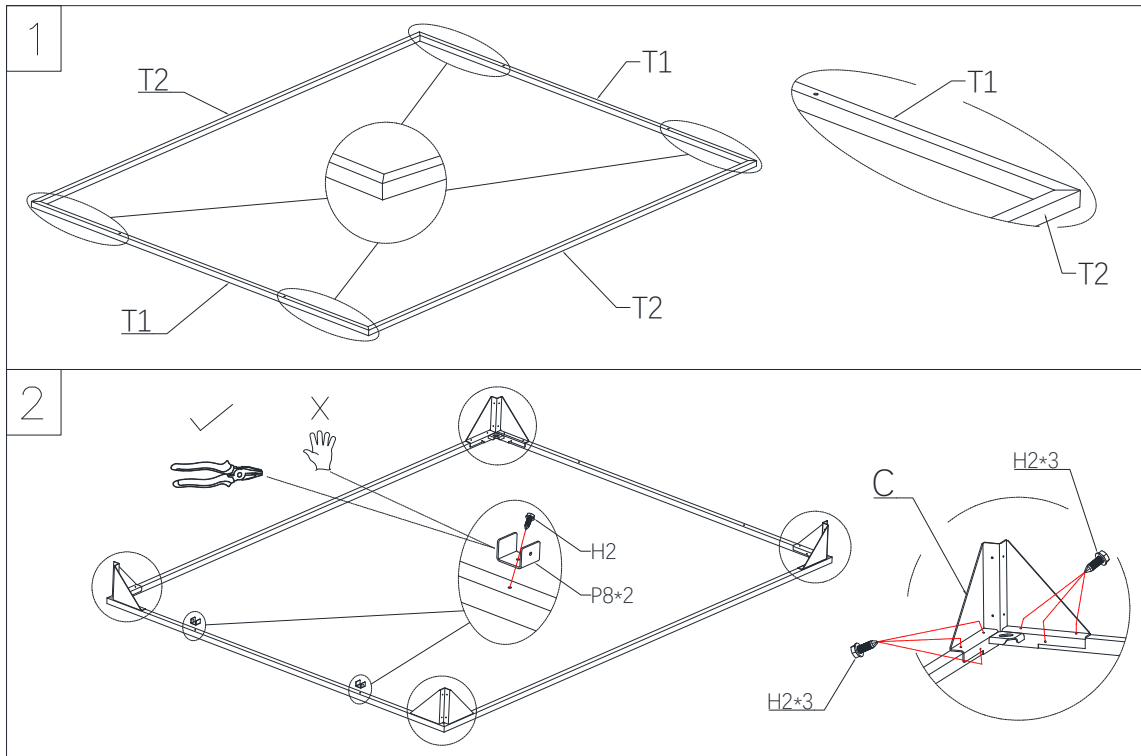


When the diagonal measurements are equal, the frame is square.

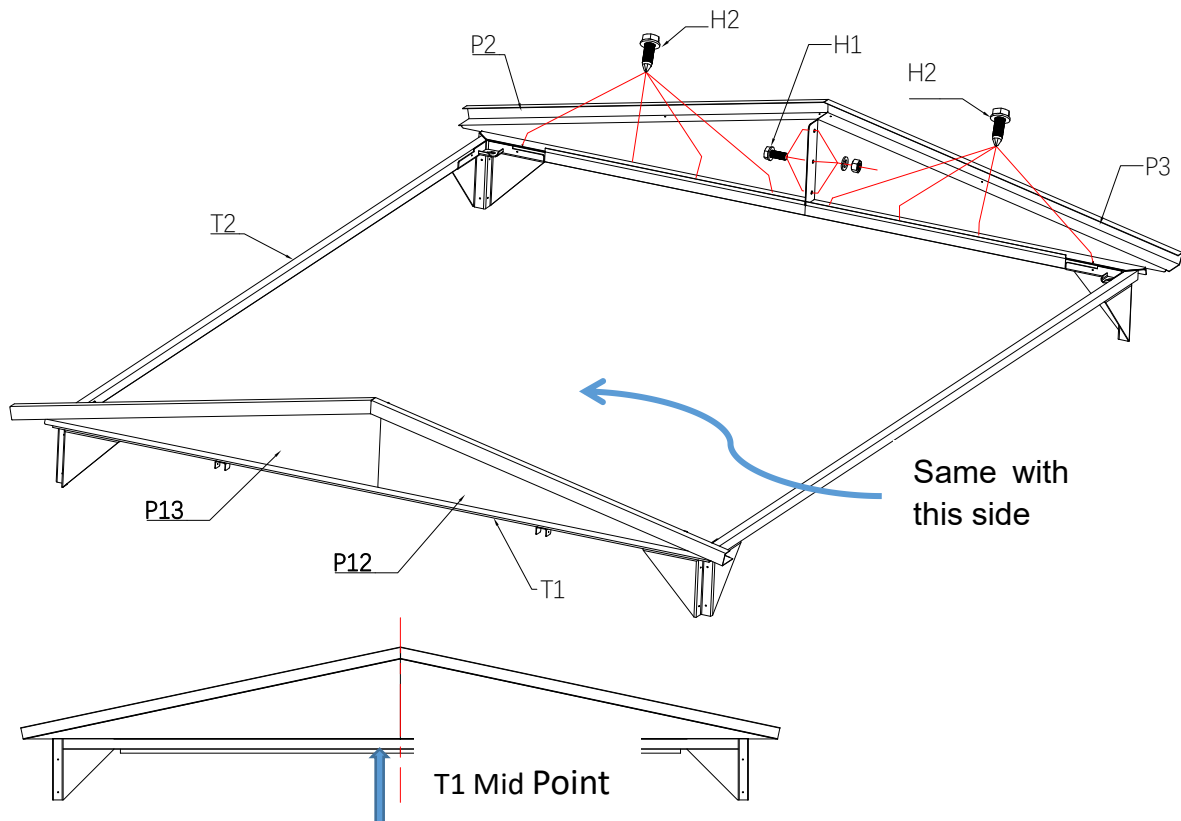


The floor frame MUST be both square AND level, or the holes will not line up properly.

2、

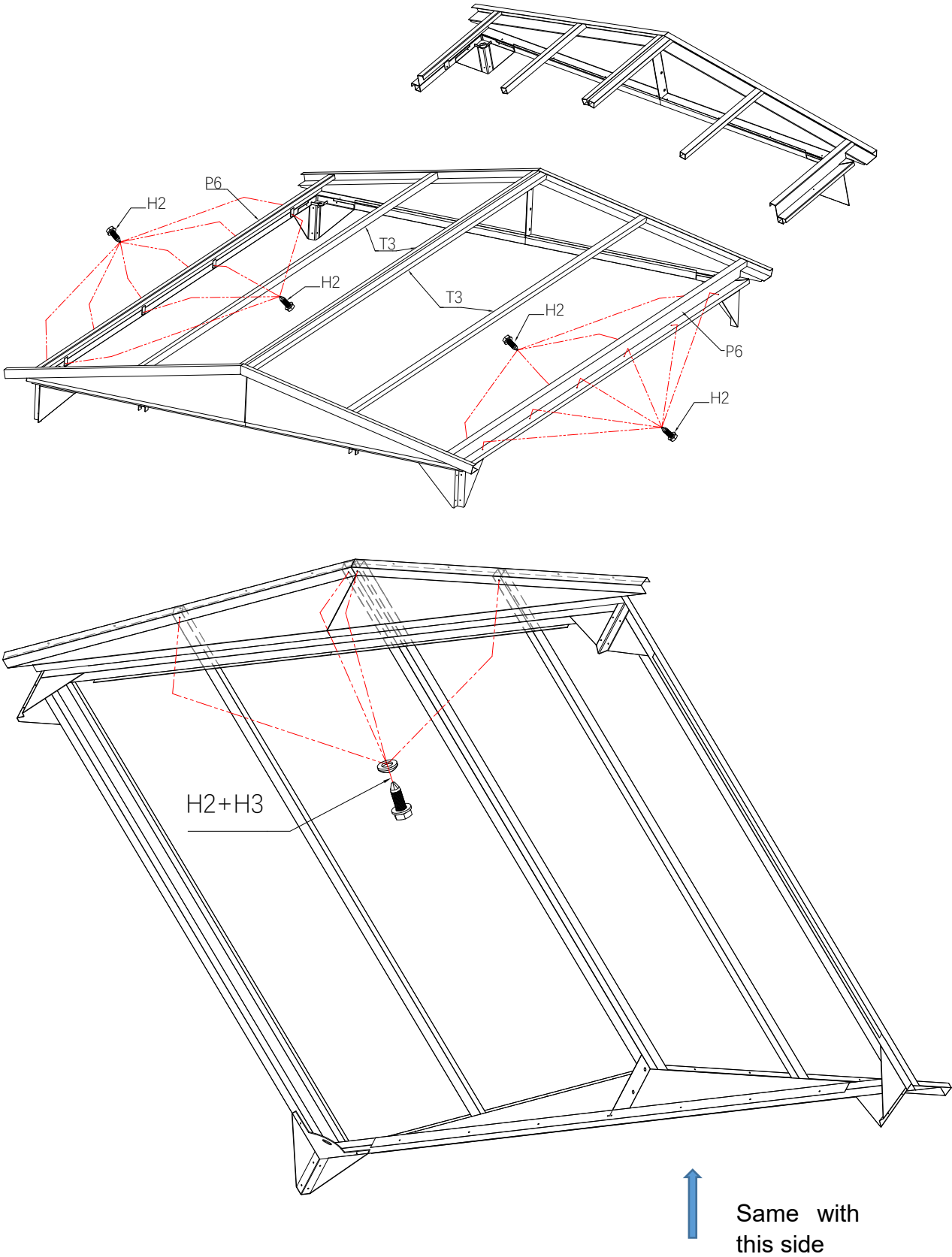


3、

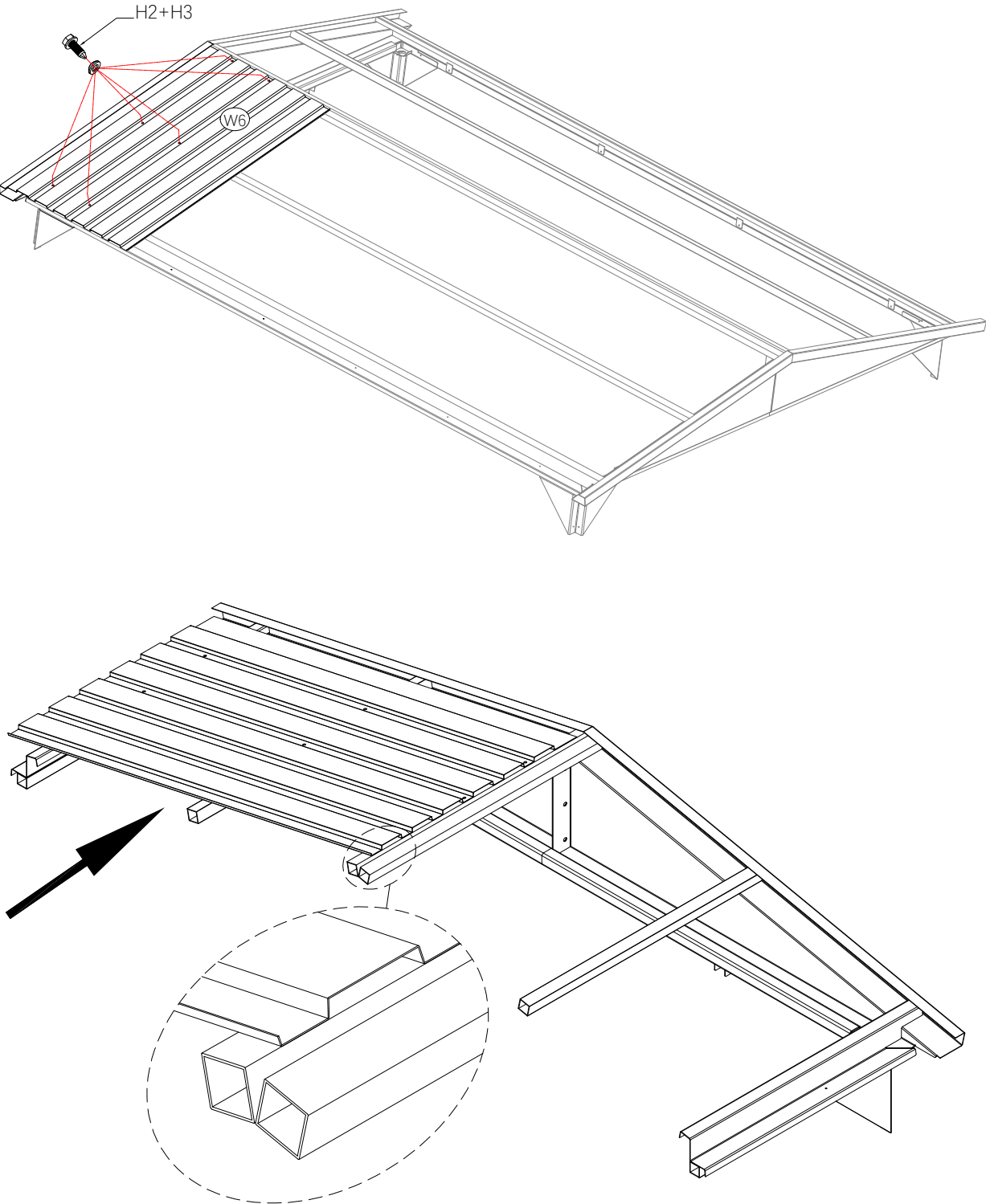


Note: The junction line of P2 and P3、 P12 and P13 must be in the middle of T1

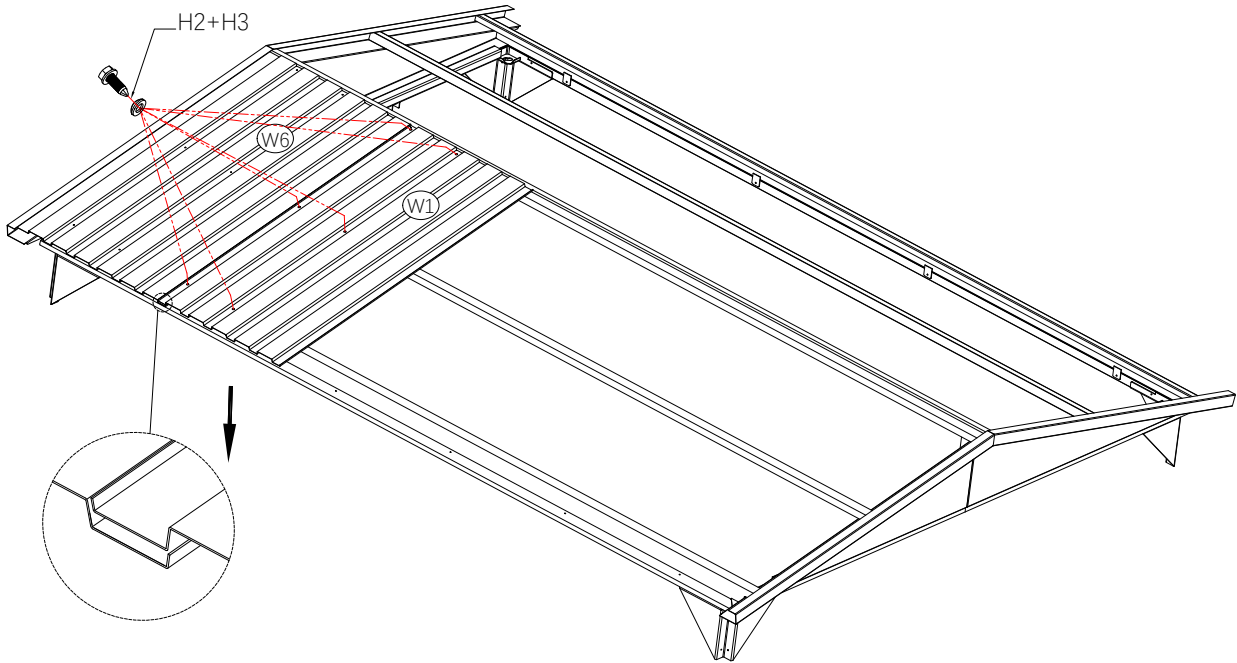
4、



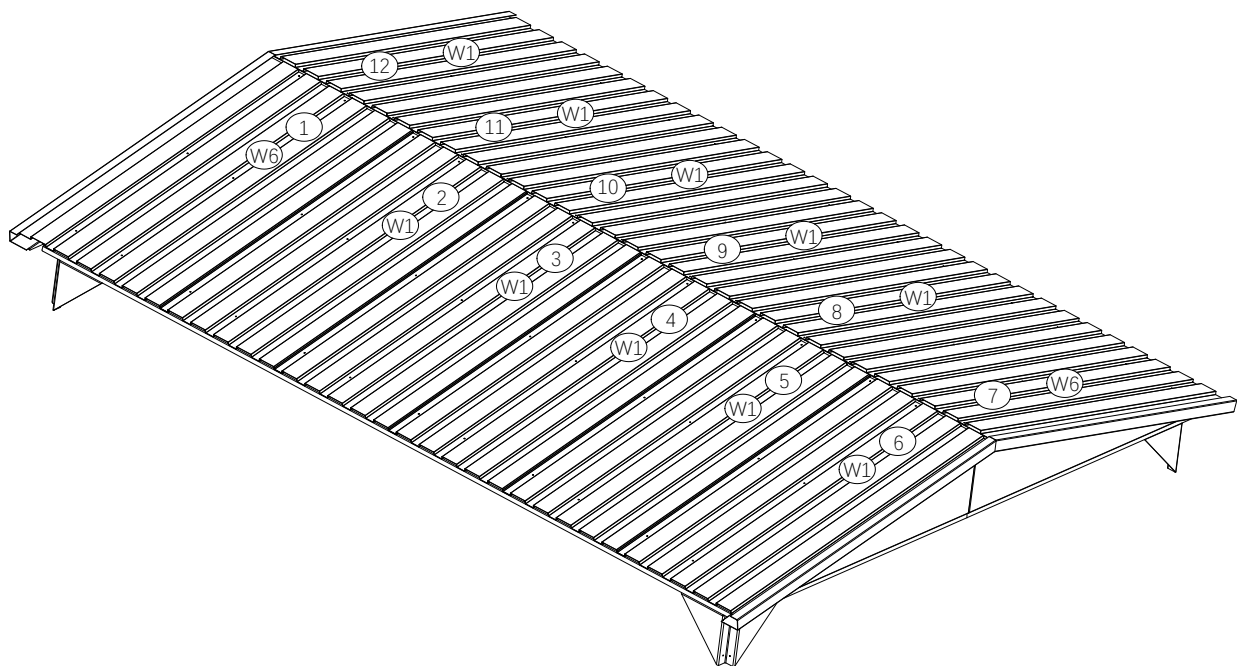
5.1



5.2

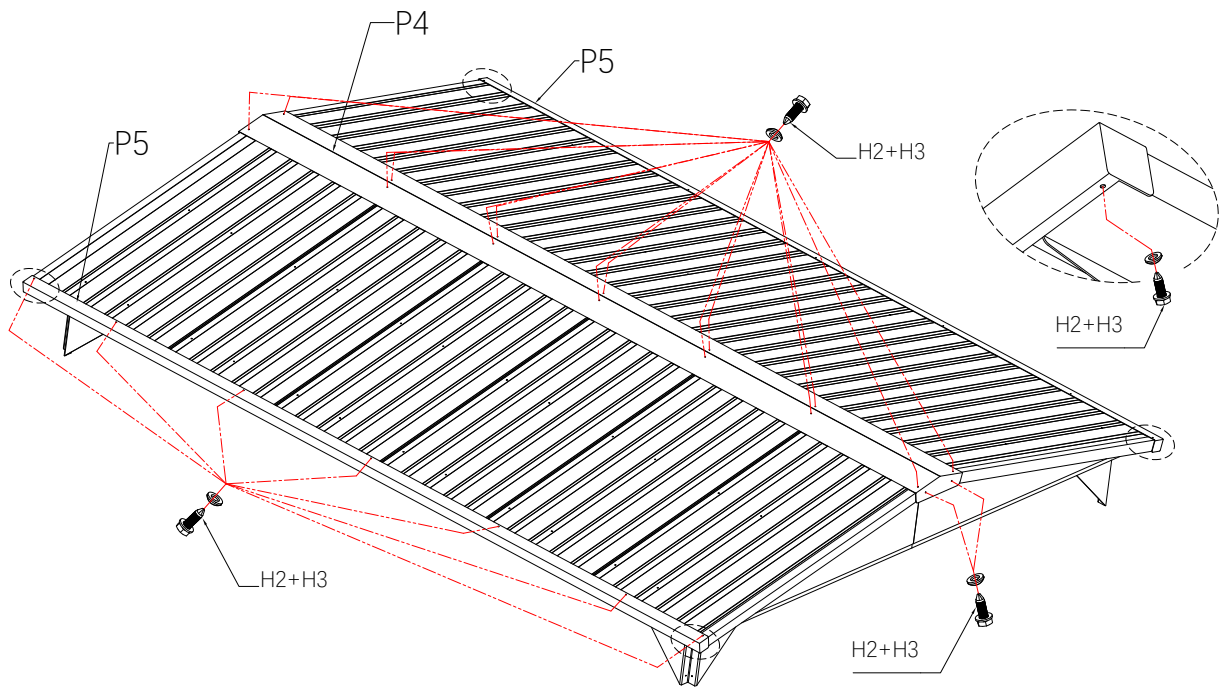


5.3 Please install the corresponding W1、W6 in the order of 1-12

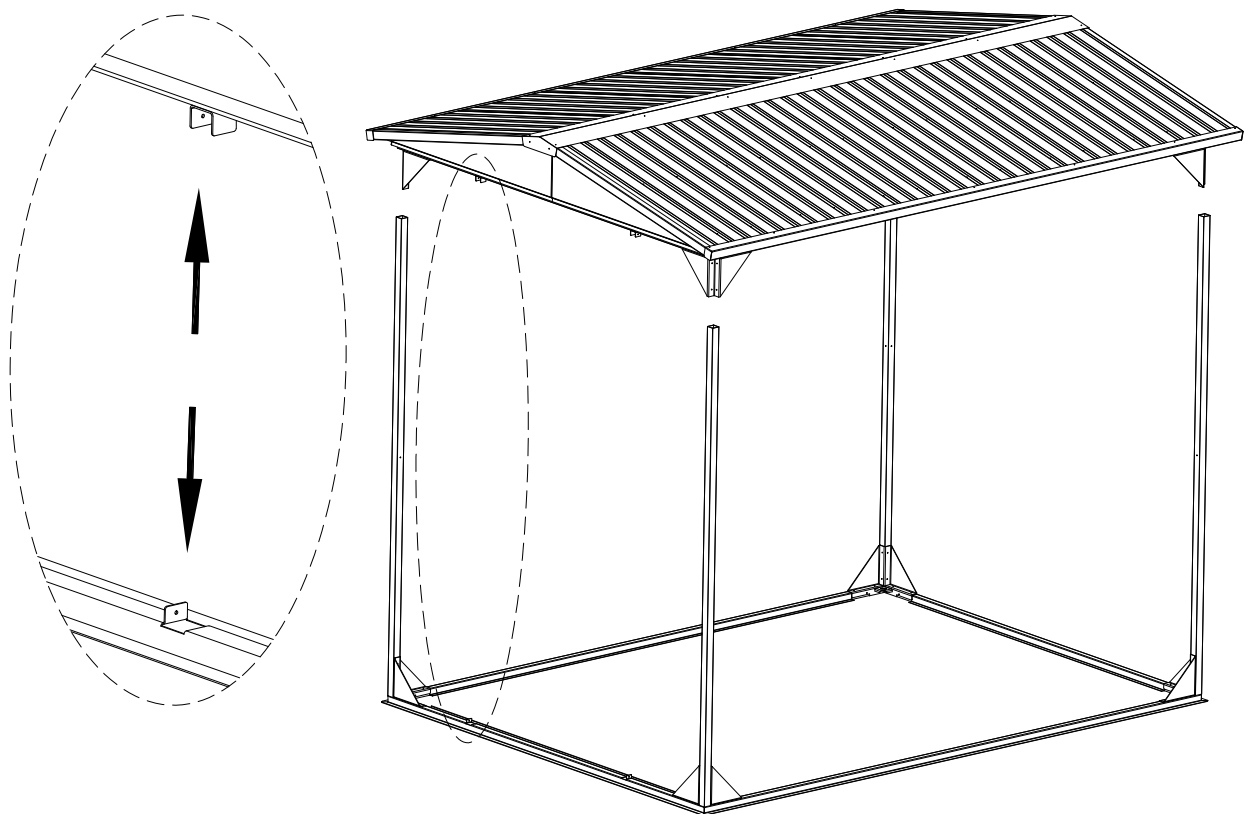


N.B. TAKE NOTE OF THE OVERHANG ON THE ROOF

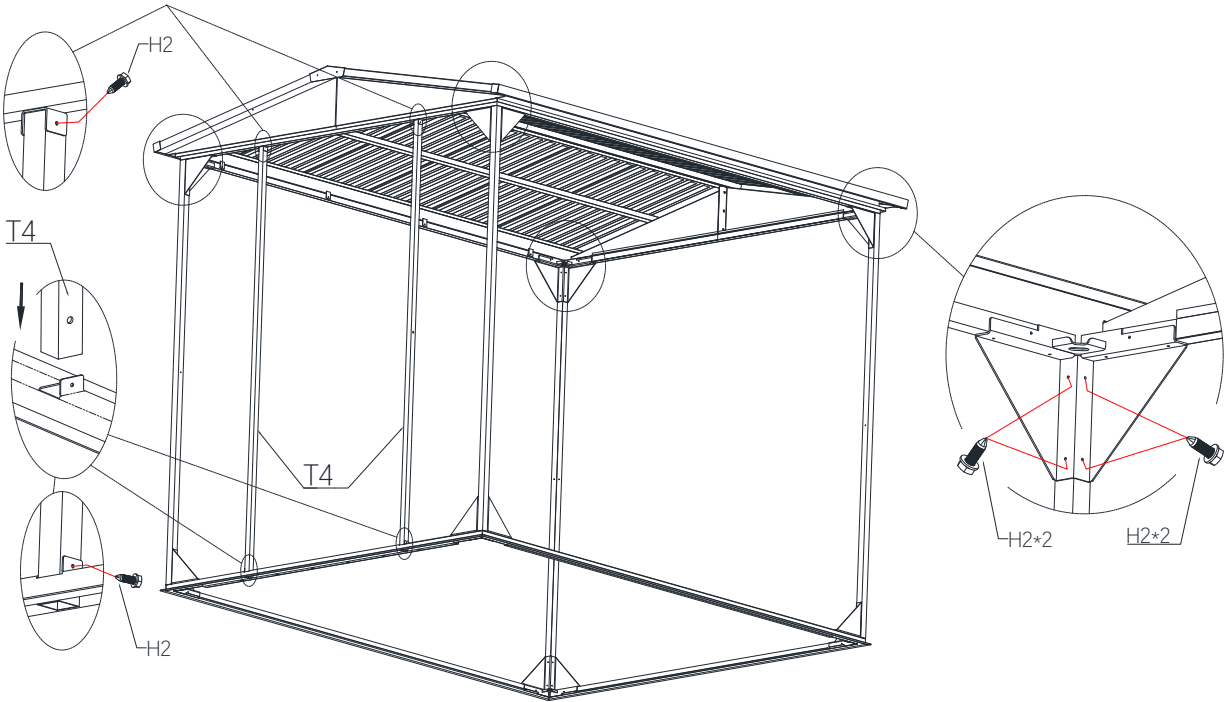
6、



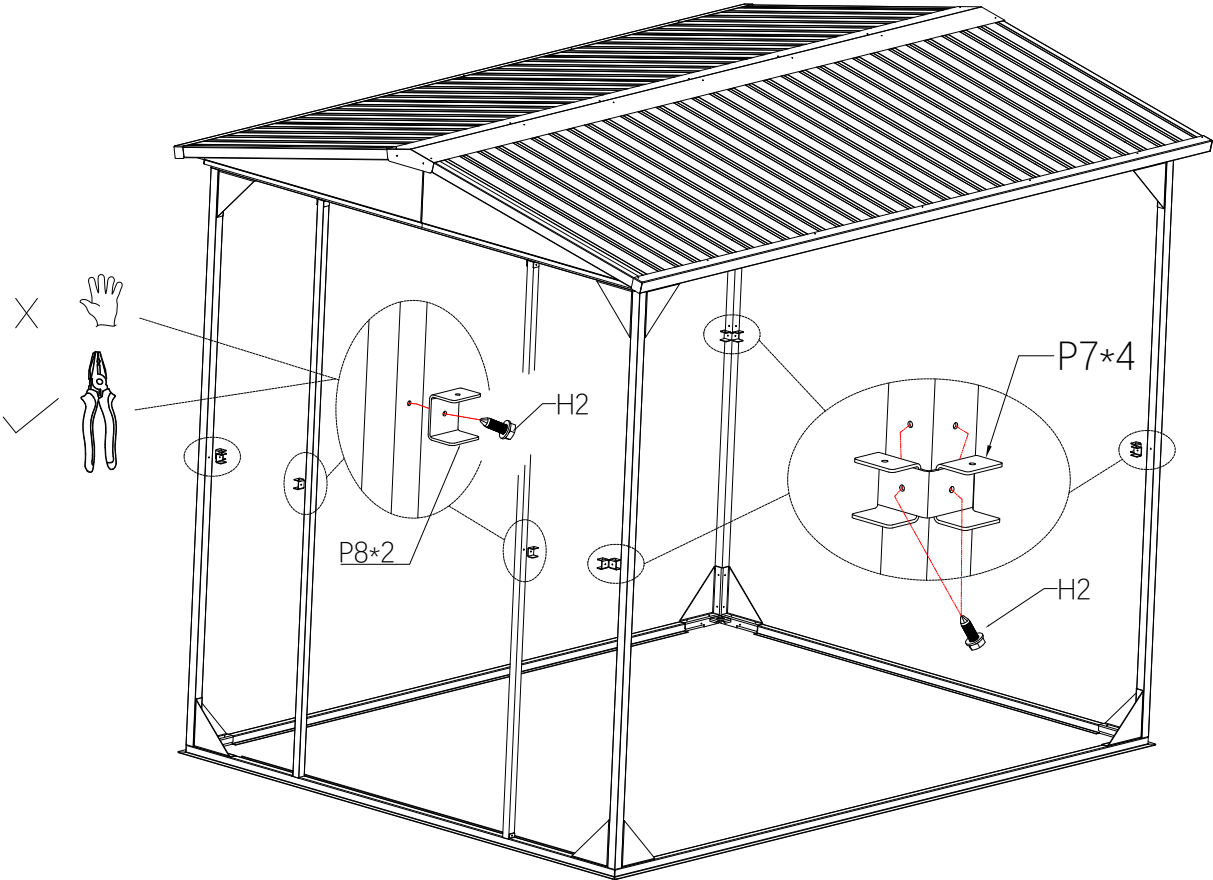
7、



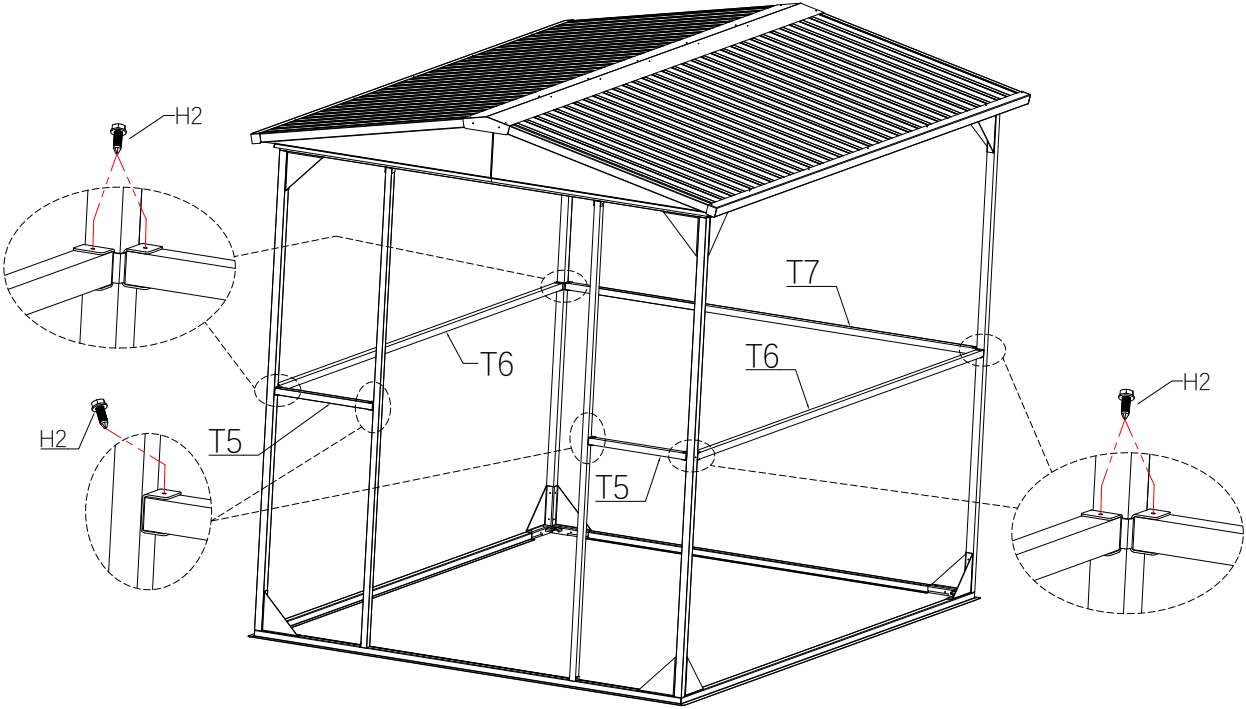
8、



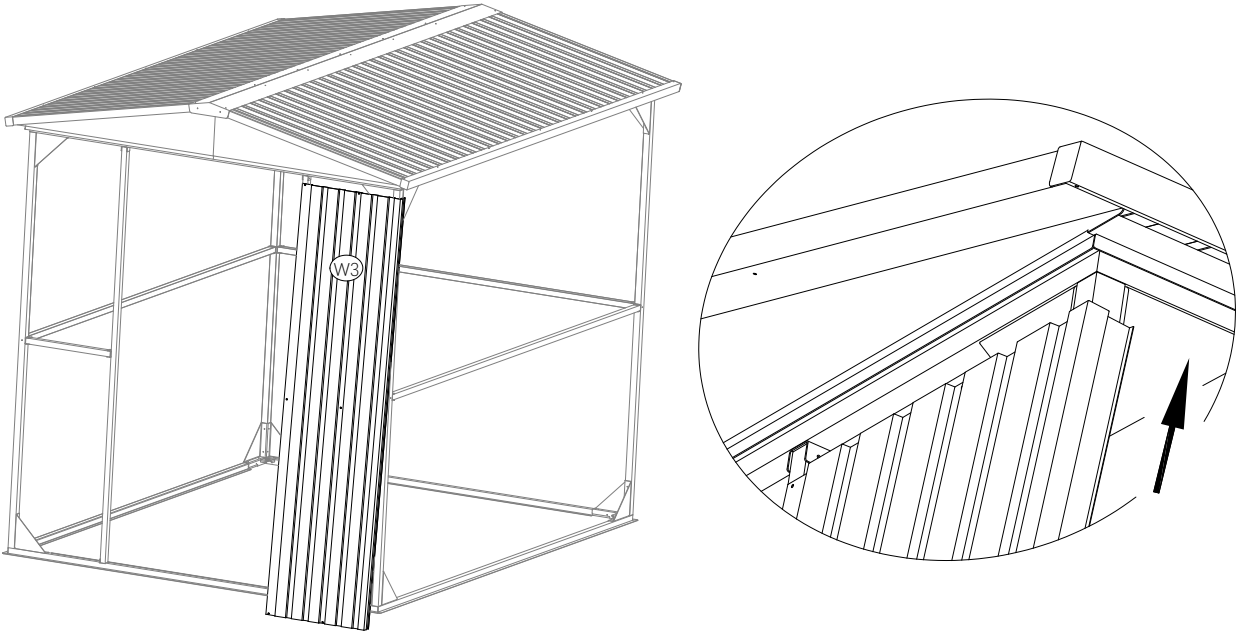
9、



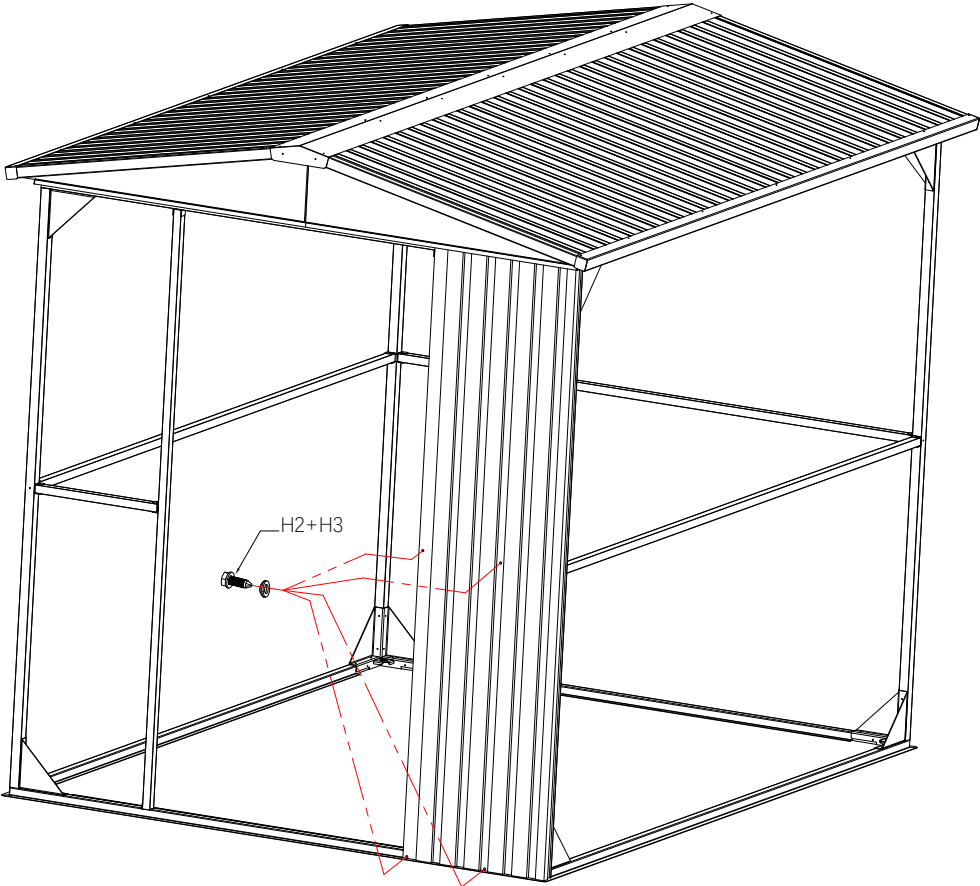
10 Add the centre wall brace



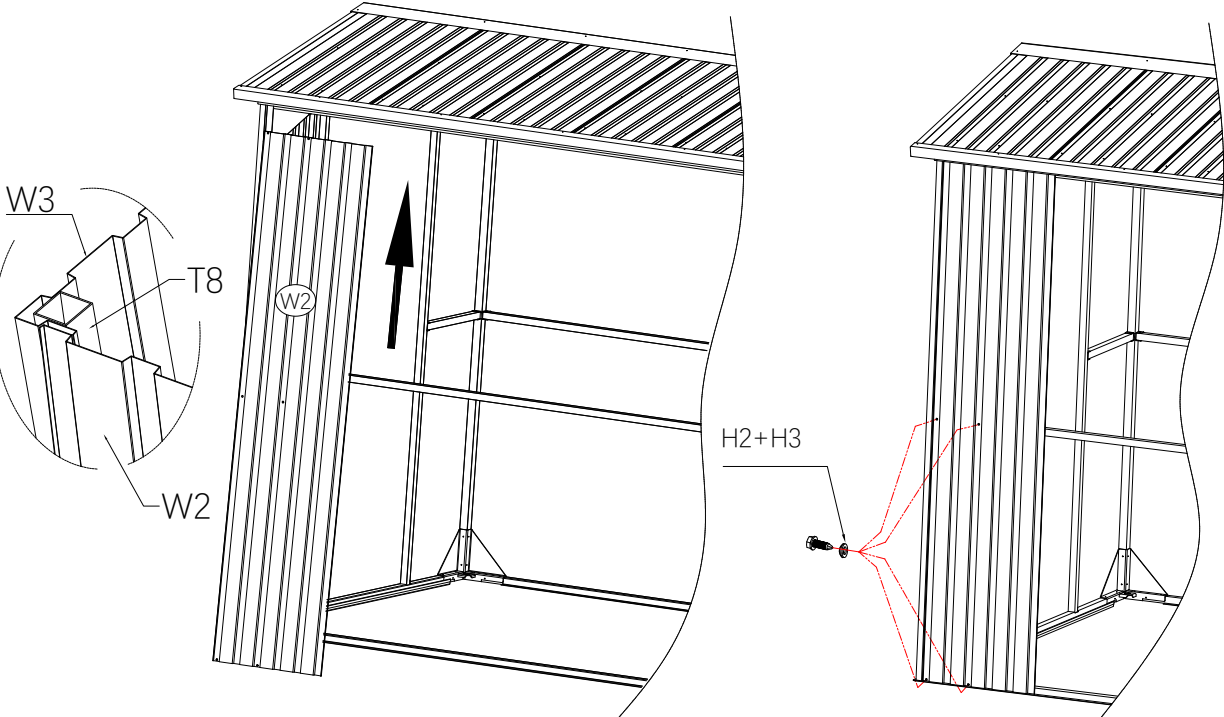
11.1



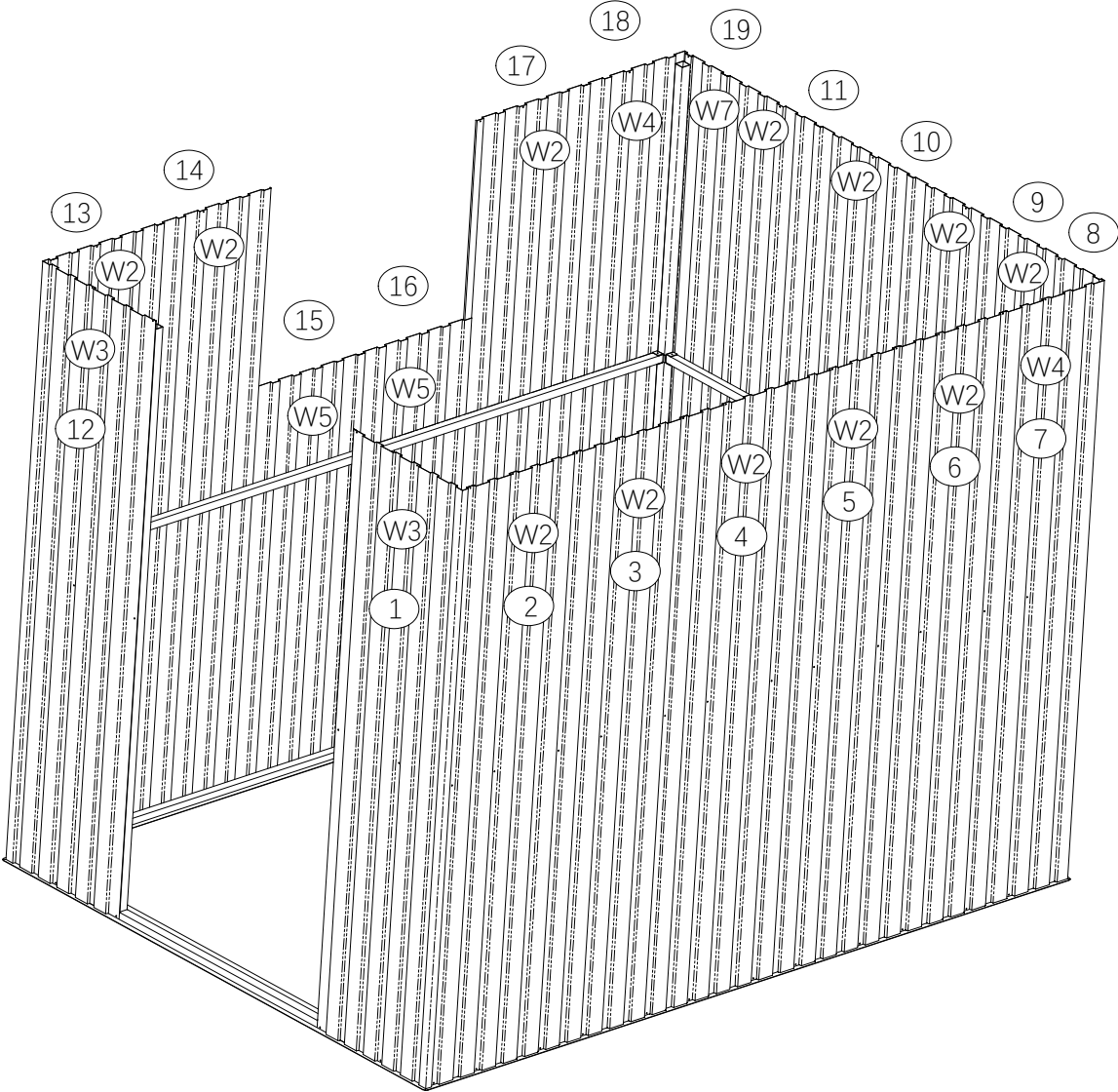
11.2



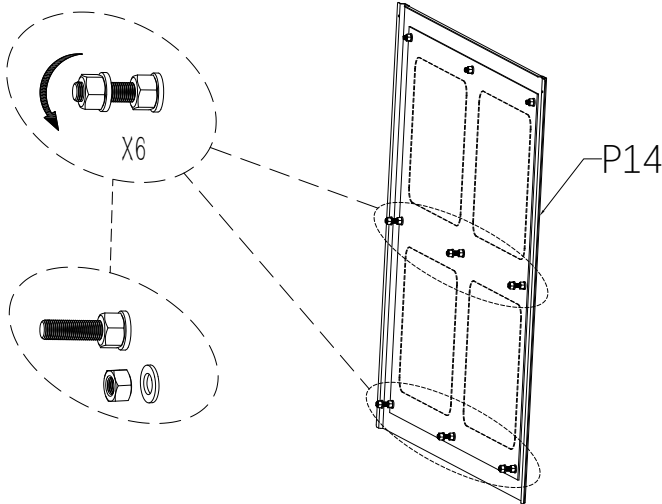
11.3



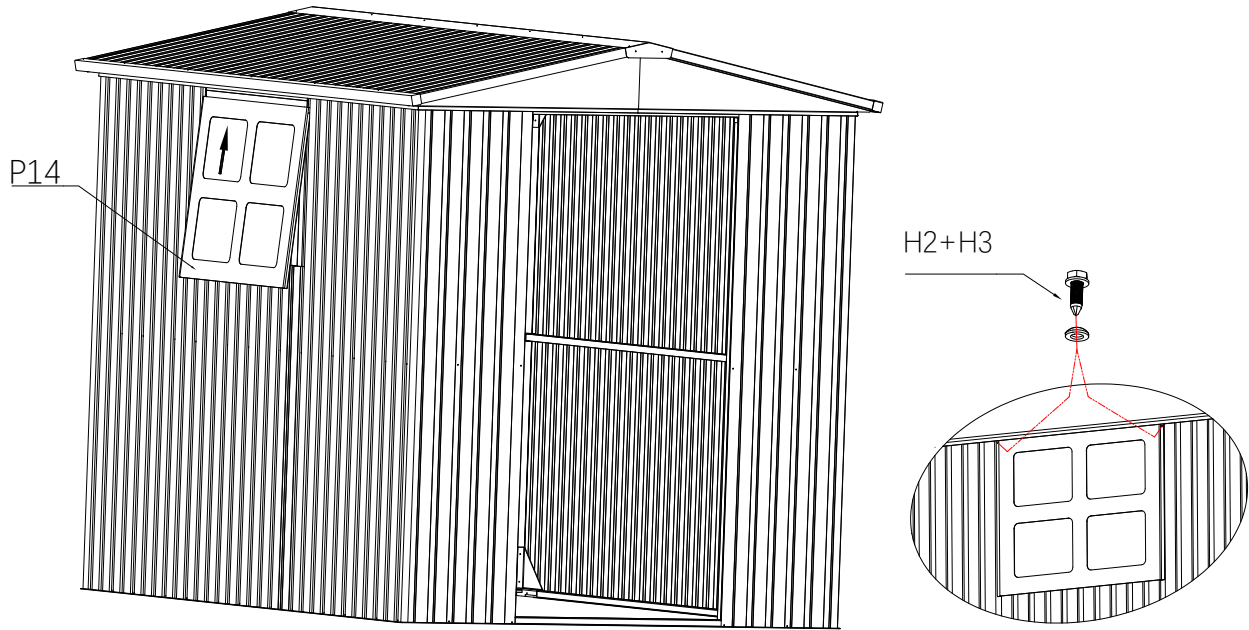
11.4 Please install the corresponding W2、W3、W4、W5 and W7 in the order of 1-19



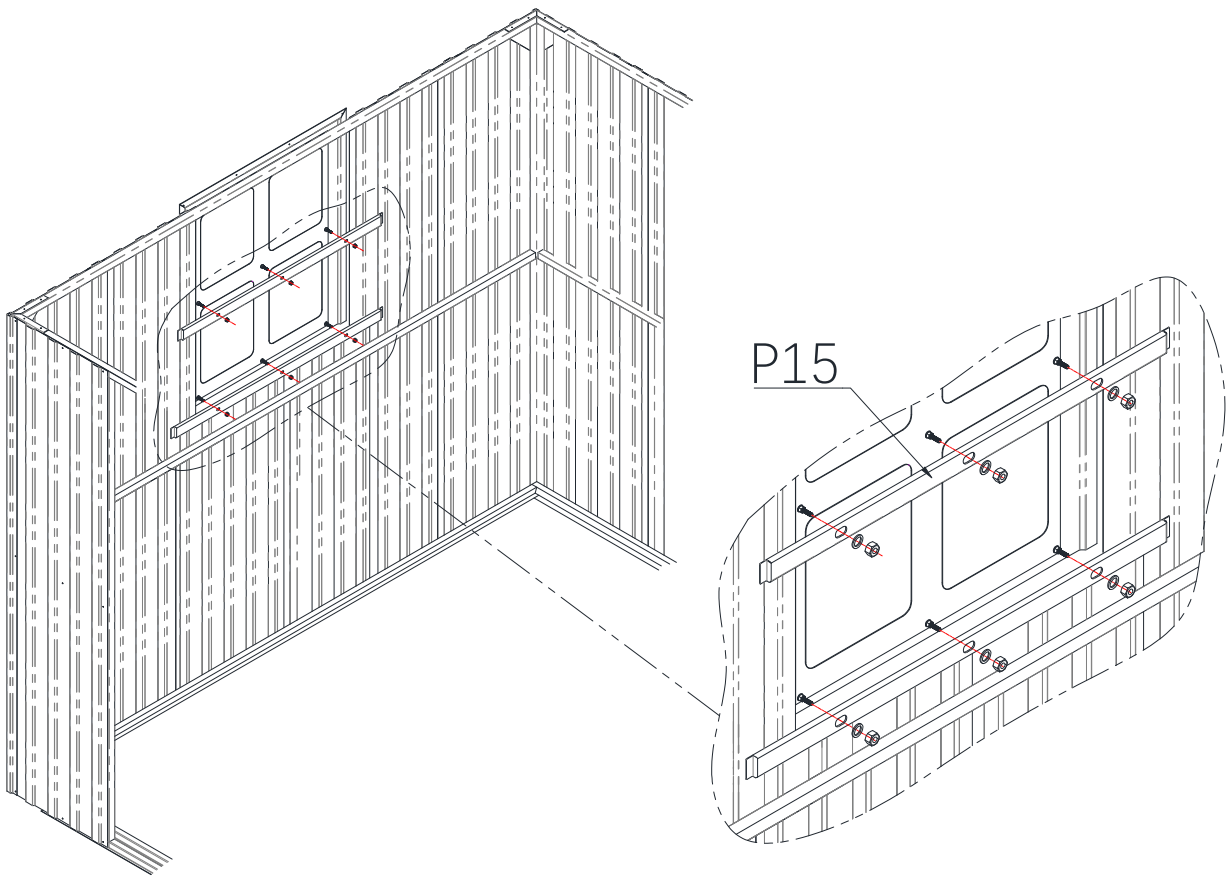
12.1



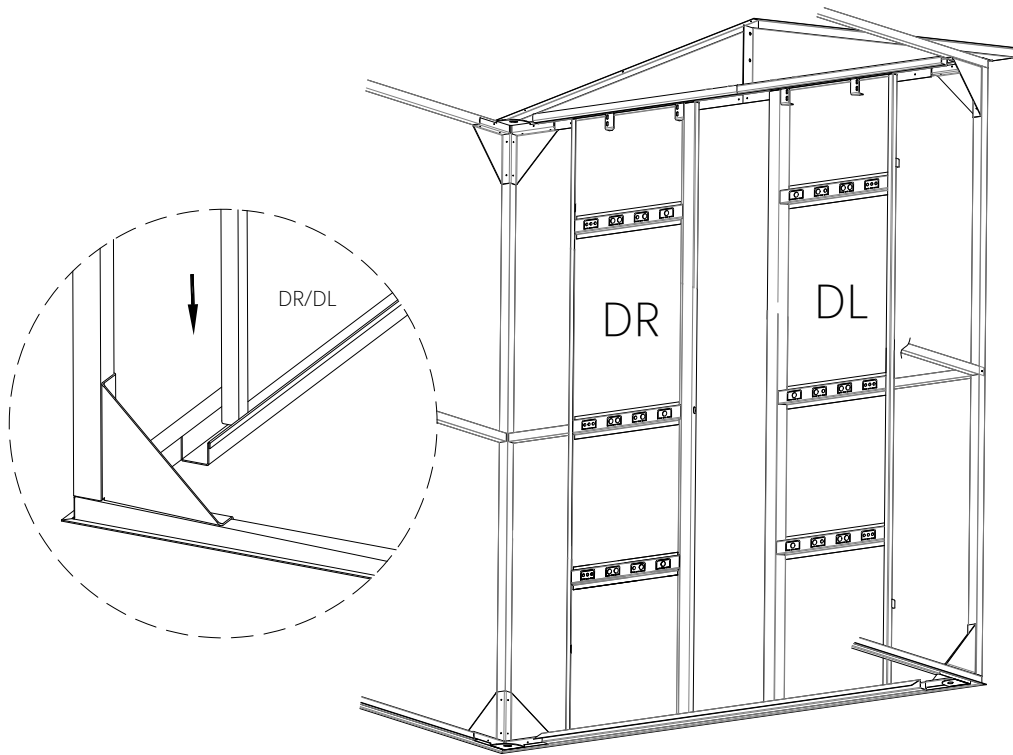
12.2



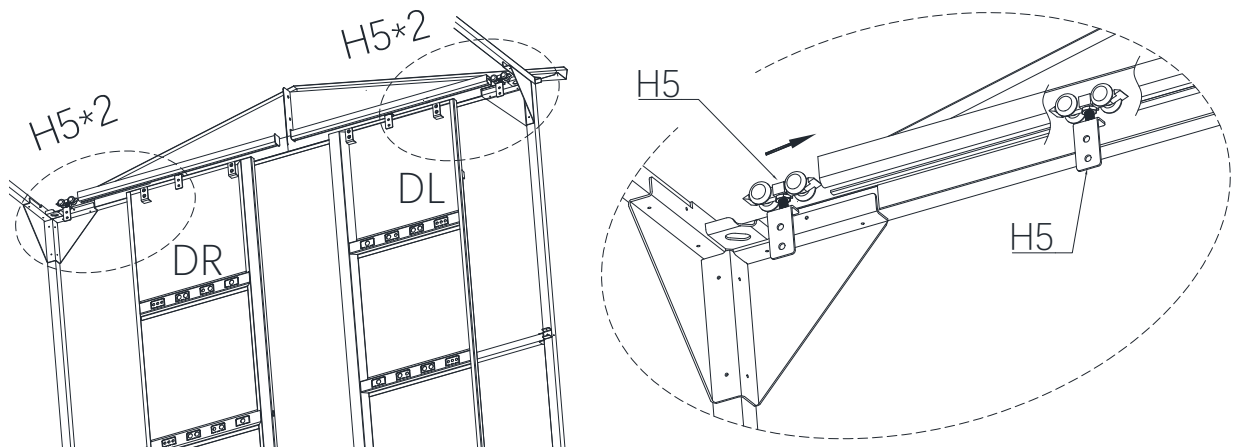
12.3



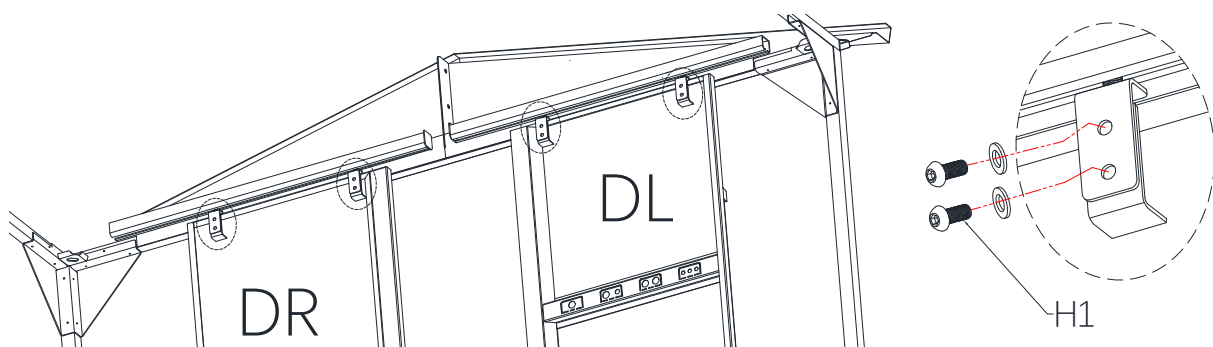
13.1



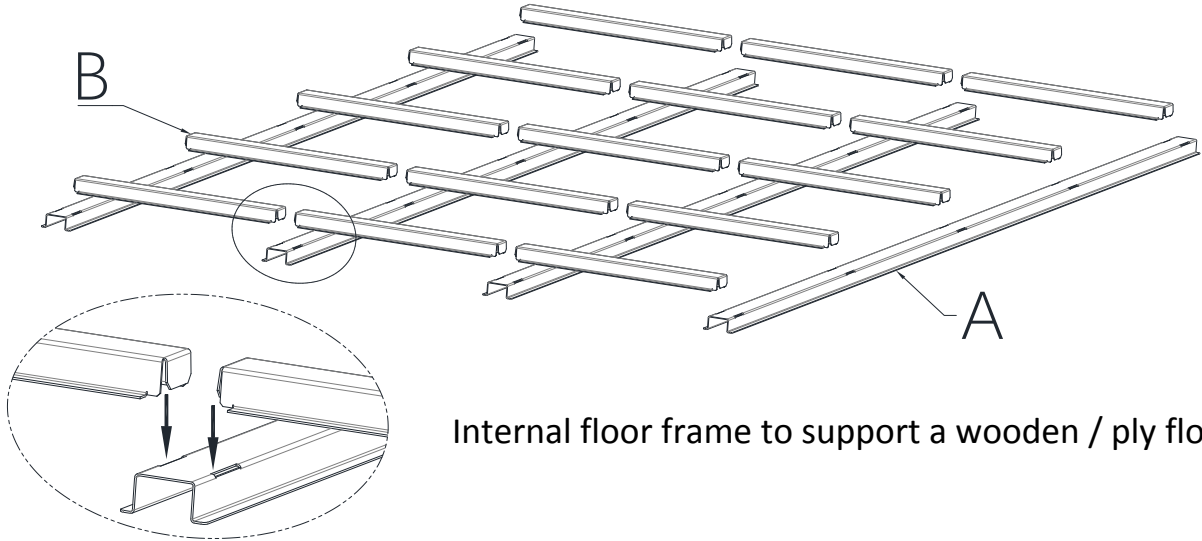
13.2



13.3



14、



Internal floor frame to support a wooden / ply floor.

