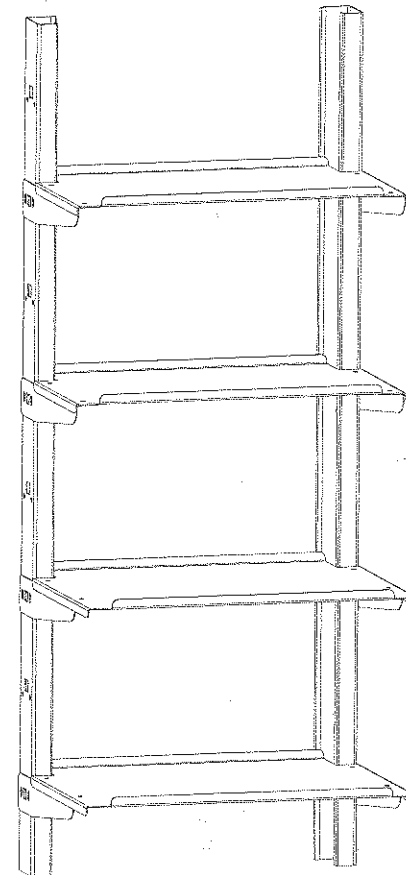



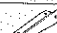





Metal Wood Storage

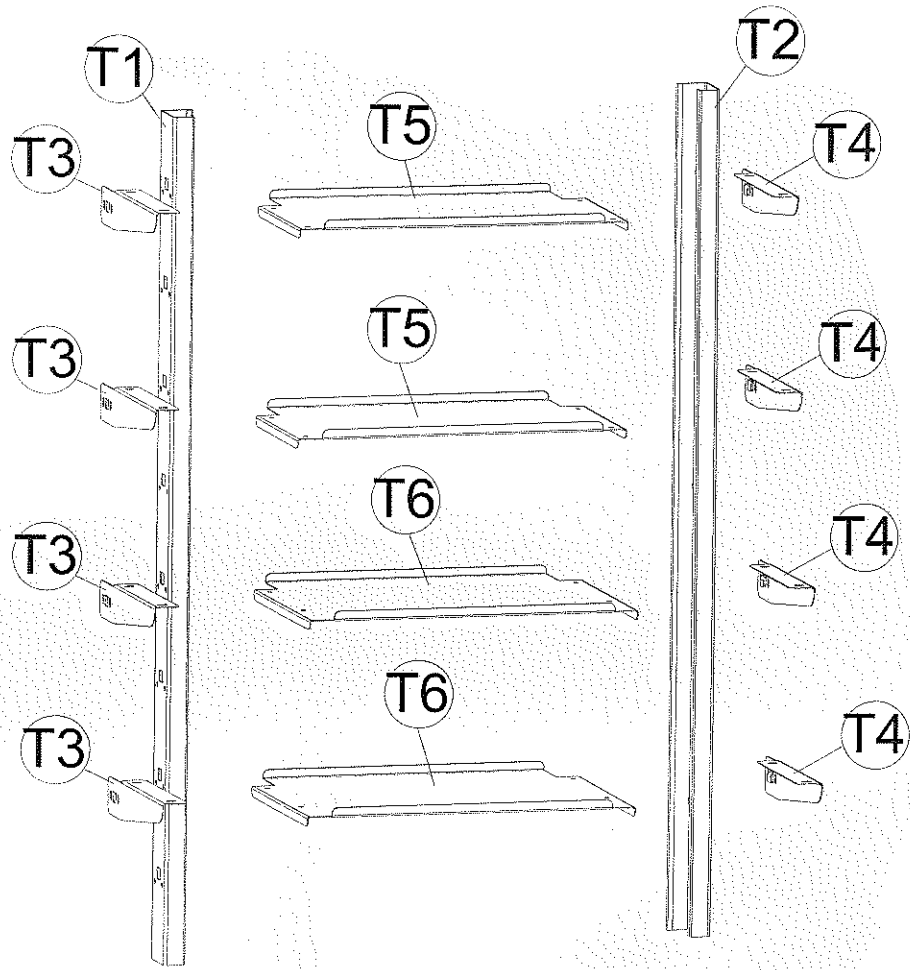
OWNER'S MANUAL /
Instructions for Assembly

SNSA-2

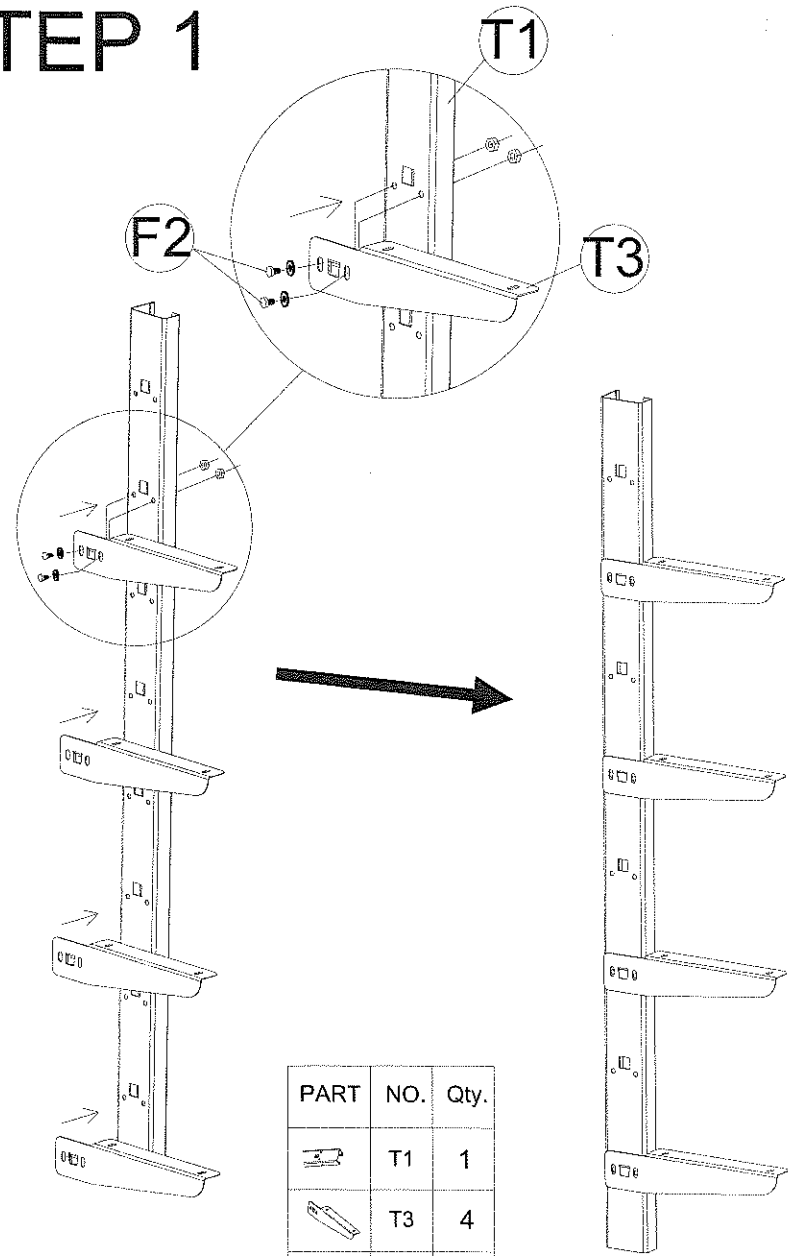




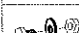
PARTS LIST

PART	NO.	Qty.	PART	NO.	Qty.
	T1	1		T4	4
	T2	1		T5	2
	T3	4		T6	2
				F2	32

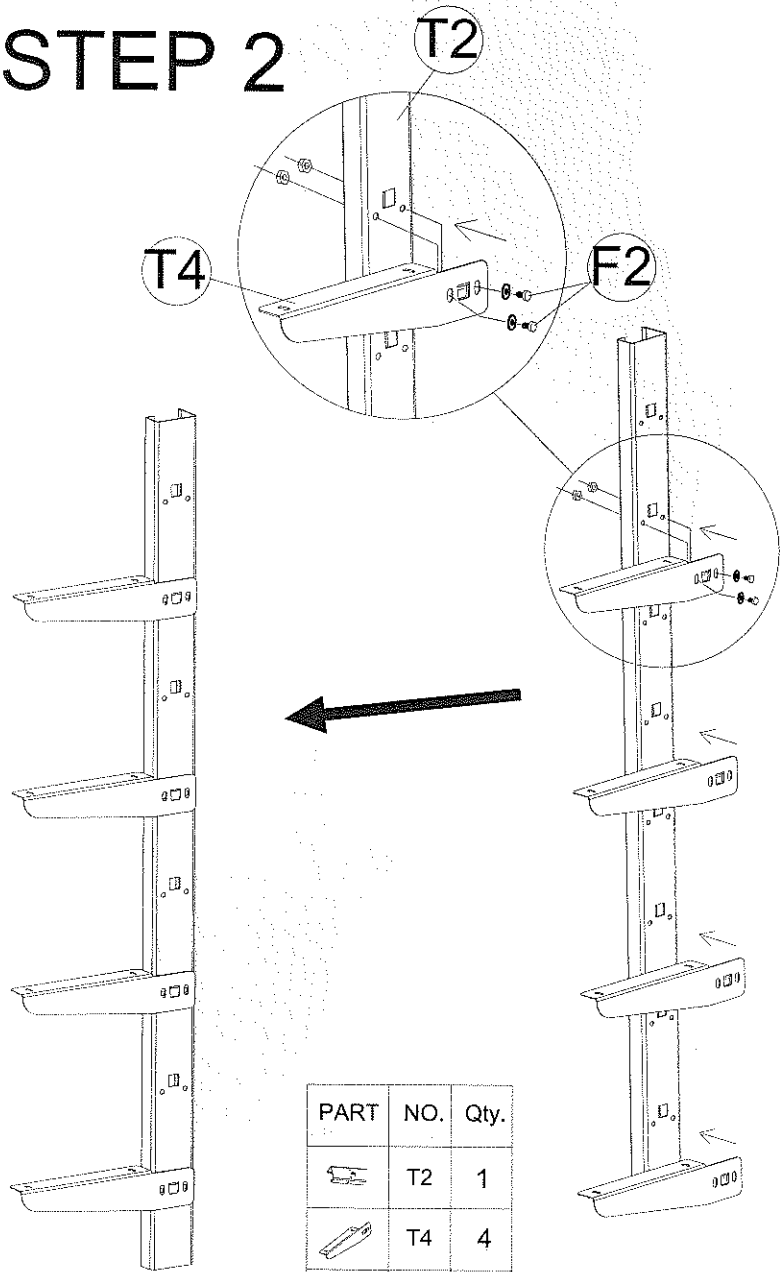


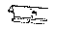


STEP 1



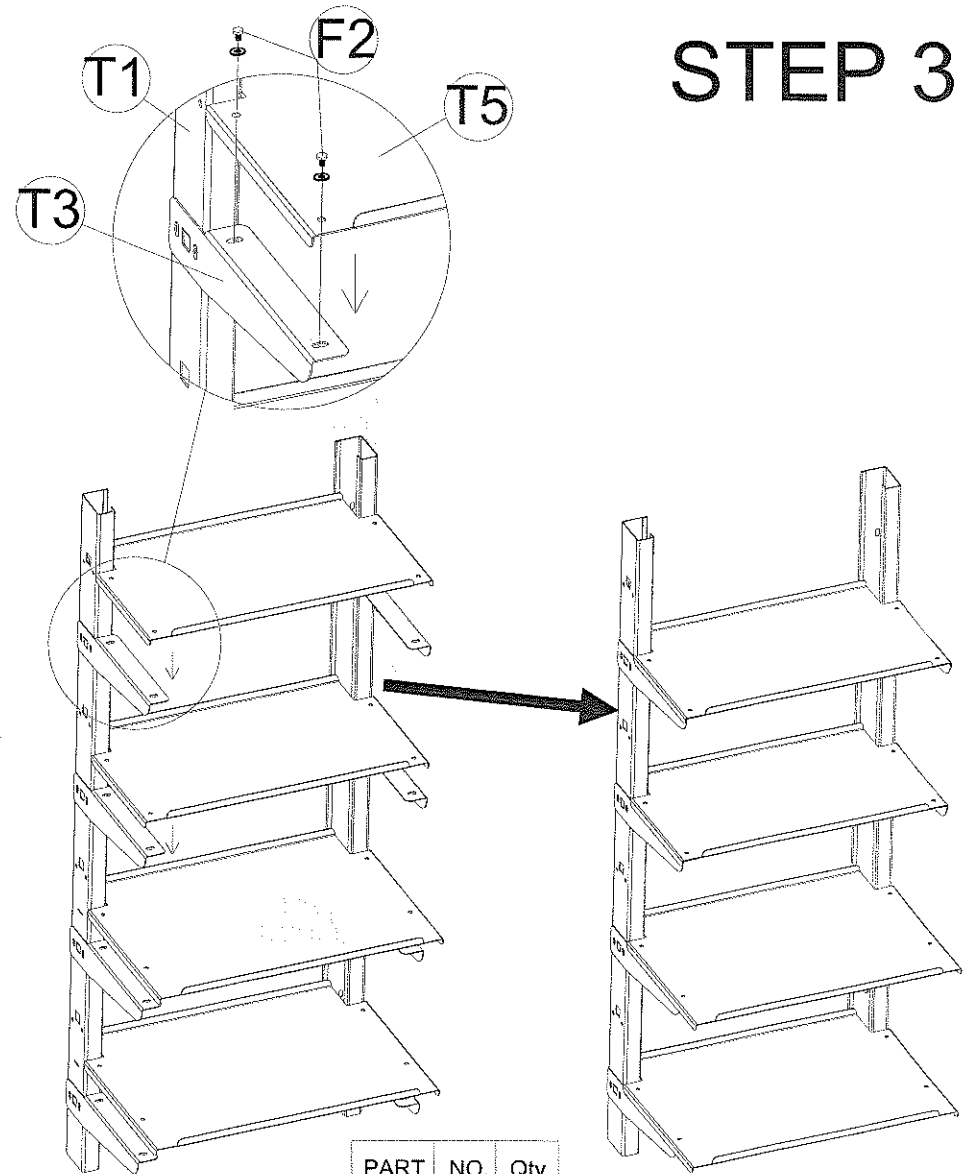
PART	NO.	Qty.
	T1	1
	T3	4
	F2	8




STEP 2



PART	NO.	Qty.
	T2	1
	T4	4
	F2	8

STEP 3



PART	NO.	Qty.
	T5	2
	T6	2
	F2	16

STEP 4

SNSA-2

