
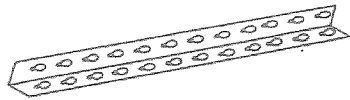




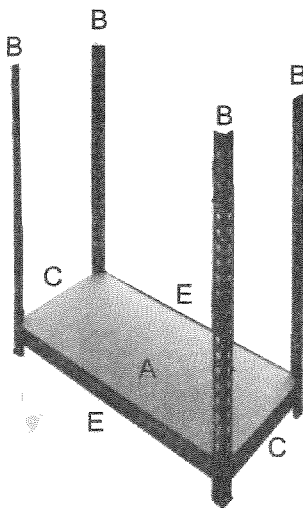


Longer Shelf

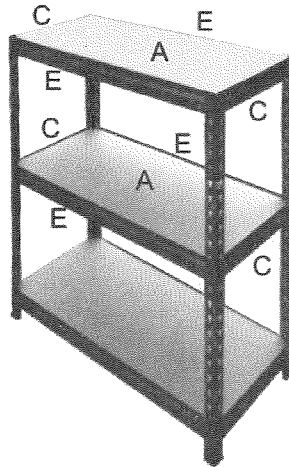
Assembly Instructions

A		5	B		8
C		10	D		8
E		10	F		5

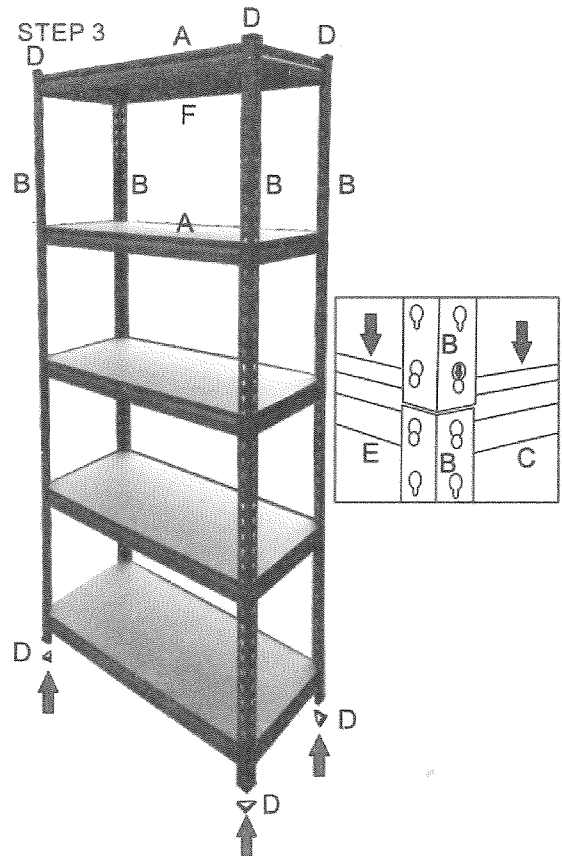
STEP 1



STEP 2



STEP 3



If the tongue is bent, place a screwdriver in the groove and bend in the opposite direction. The whole of the nominal load bearing capacity must not be loaded at one single point on the rack. The load on the inlaid shelves must be evenly distributed in order to avoid damage to the wooden chipboard. The rack is not suitable for rooms with high humidity as this may damage the wooden chipboard.

Caution! Wear gloves when assembling the rack in order to avoid injury. Never exceed the maximum specific load at any one point nor the minimum loading of the complete rack area (see details on the packing or on the rack)

Caution! For your safety we recommend that the rack always be fixed to the wall using suitable wall-mounting brackets.