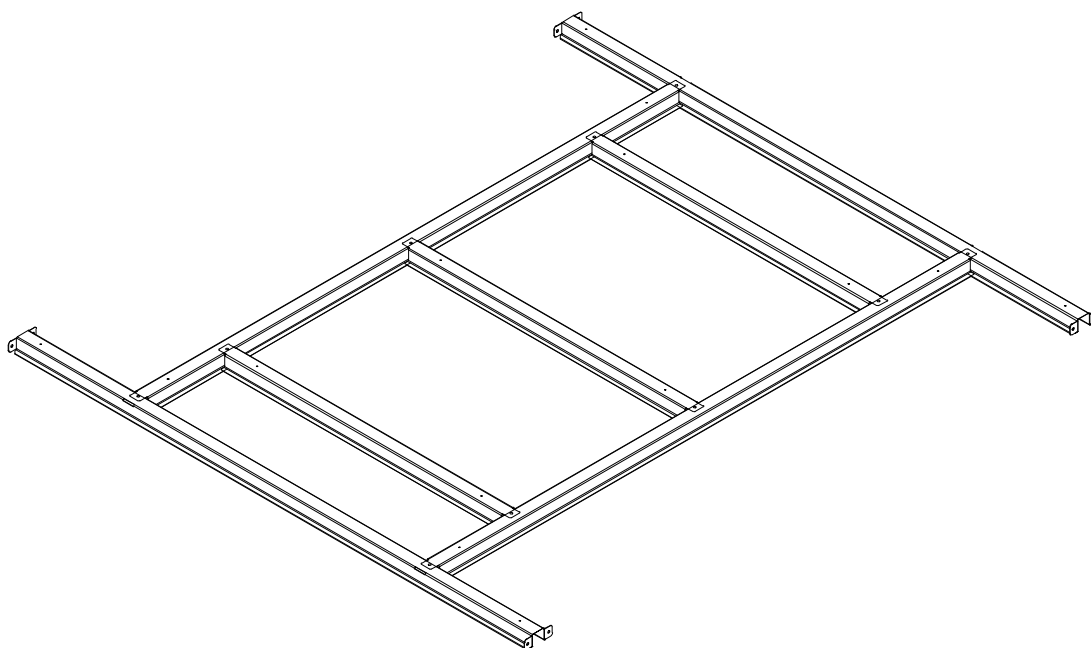


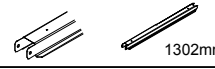



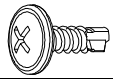
# **Metal Garden Shed**

## **Foundation Kit**

**Instructions for Assembly**

**Size MF-SU-A65**



NO.	PART	Qty.
W1	 1302mm	2
W2	 1339mm	2
W3	 716mm	3
F1		20
ST4		8

